

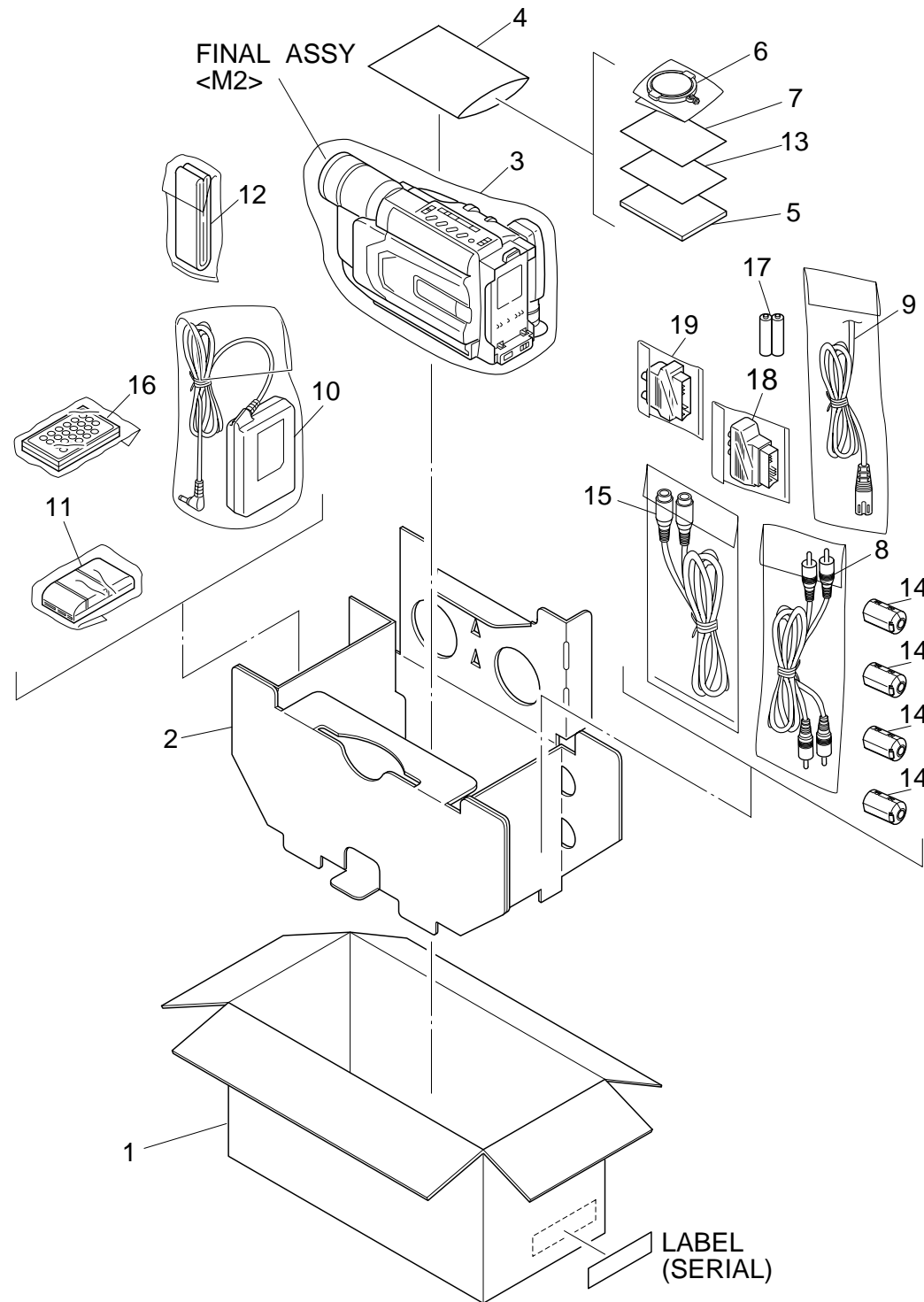
SECTION 5 PARTS LIST

SAFETY PRECAUTION

Parts identified by the \triangle symbol are critical for safety. Replace only with specified part numbers.

5.1 PACKING AND ACCESSORY ASSEMBLY<M1>

The instruction manual to be provided with this product will differ according to the destination.



\triangle REF No. PART No. PART NAME, DESCRIPTION

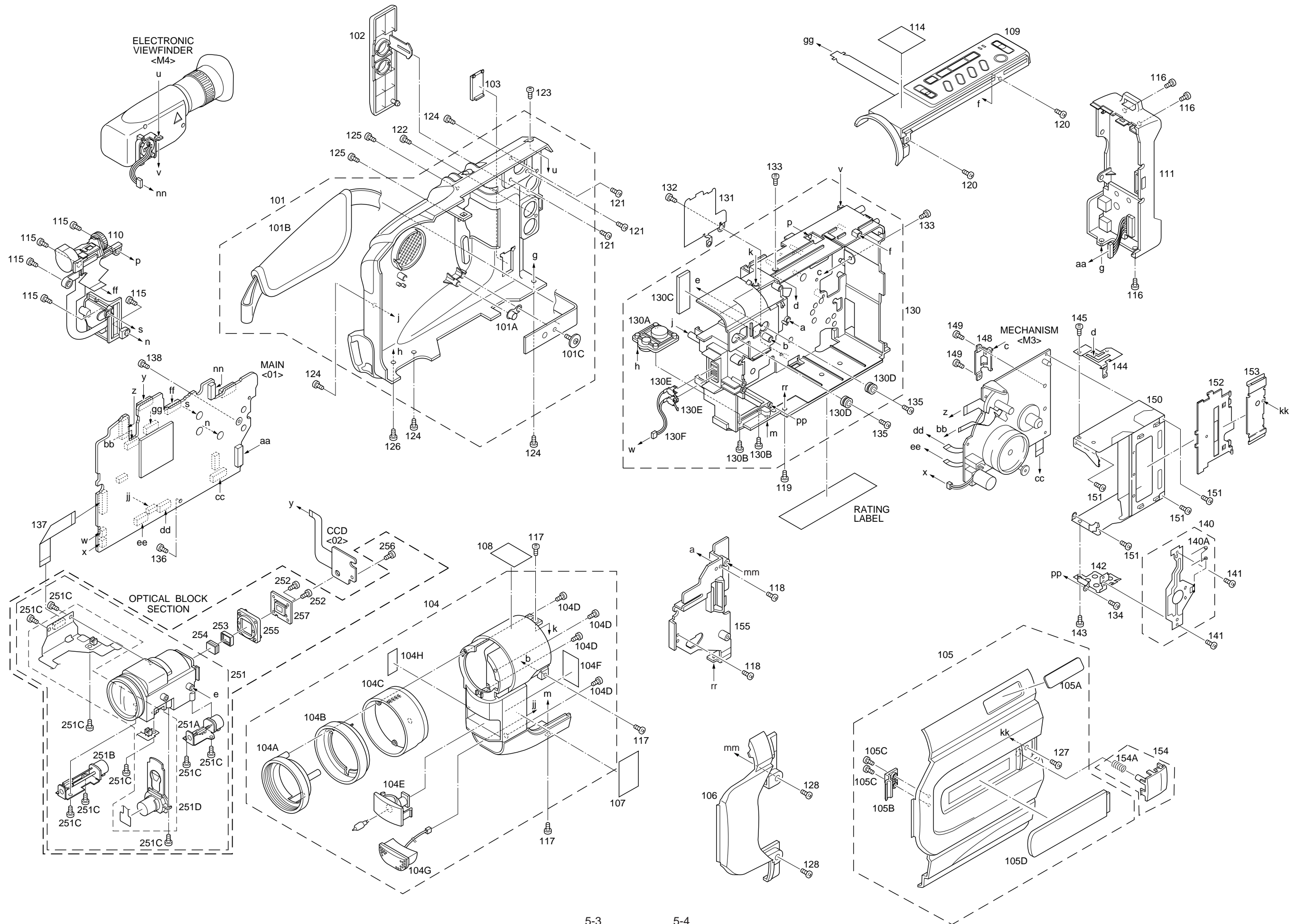
PACKING AND ACCESSORY ASSEMBLY <M1>

1	LY32179-001A	PACKING CASE,A
	LY32179-003A	PACKING CASE,B,C,D
2	LY32065-001A	CUSHION
3	LY30023-002A	POLY BAG
4	YQM30061-3	POLY BAG,C
	QPA02003506	POLY BAG,A,B,D
\triangle 5	LYT0671-002A	INST.BOOK(GE),A,B,D
\triangle	LYT0671-003A	INST.BOOK(FR),A,B,D
\triangle	LYT0671-004A	INST.BOOK(DU),A,B,D
\triangle	LYT0671-005A	INST.BOOK(SP),A,B,D
\triangle	LYT0671-006A	INST.BOOK(IT),A,B,D
\triangle	LYT0671-007A	INST.BOOK(DA),A,B,D
\triangle	LYT0671-008A	INST.BOOK(FI),A,B,D
\triangle	LYT0671-009A	INST.BOOK(SW),A,B,D
\triangle	LYT0671-010A	INST.BOOK(NO),A,B,D
\triangle	LYT0671-011A	INST.BOOK(RU),A,B,D
\triangle	LYT0671-012A	INST.BOOK(CZ),A,B,D
\triangle	LYT0671-013A	INST.BOOK(PO),A,B,D
\triangle	LYT0671-014A	INST.BOOK(HU),A,B,D
\triangle	LYT0707-001A	INST.BOOK(EN),C
6	LY41538-002B	LENS CAP
7	BT-54008-2	GUARANTY CARD,C
	BT-54013-1	WARRANTY CARD,A,B,D
8	PEAC0362-150	CABLE ASSY(AUDIO/VIDEO)
\triangle 9	QMPL120-190-JR	POWER CORD,A,B,D
\triangle	QMPP110-190-JR	POWER CORD,C
\triangle 10	LY20688-001A	AC ADAPTER,AP-V10EG
\triangle 11	YQ10629E	BATTERY PACK,BN-V11U,A
	LY31199-001A	BATTERY PACK,BN-V20U,B,C,D
12	LY20186-001A	SHOULDER STRAP
13	LYT0194-001A	Q.CARD(JUK),C
14	QQR0491-002	CORE FILTER,X3,A
	QQR0491-002	CORE FILTER,X4,B,C,D
15	QAM0004-003	S CABLE,S-VIDEO CABLE,B,C,D
16	LY42129-001A	REMOTE CONTROLLER,RM-V715U,D
17	-	BATTERY,AAA(R03)X2,D
18	PEMC1000-01-02	CONNECTOR,CABLE ADAPTOR,B,C,D
19	PEMC1174	CONNECTOR,CABLE ADAPTOR,A

• INSTRUCTIONS

EN ENGLISH
 GE GERMANY
 FR FRENCH
 DU DUTCH
 SP SPANISH
 IT ITALIAN
 DA DANISH
 FI FINNISH
 SW SWEDISH
 NO NORWEGIAN
 RU RUSSIAN
 CZ CZECH
 PO POLISH
 HU HUNGARIAN

MODEL	MARK
GR-FX12EG	A
GR-SX22EG	B
GR-SX22EK	C
GR-SX202EG	D



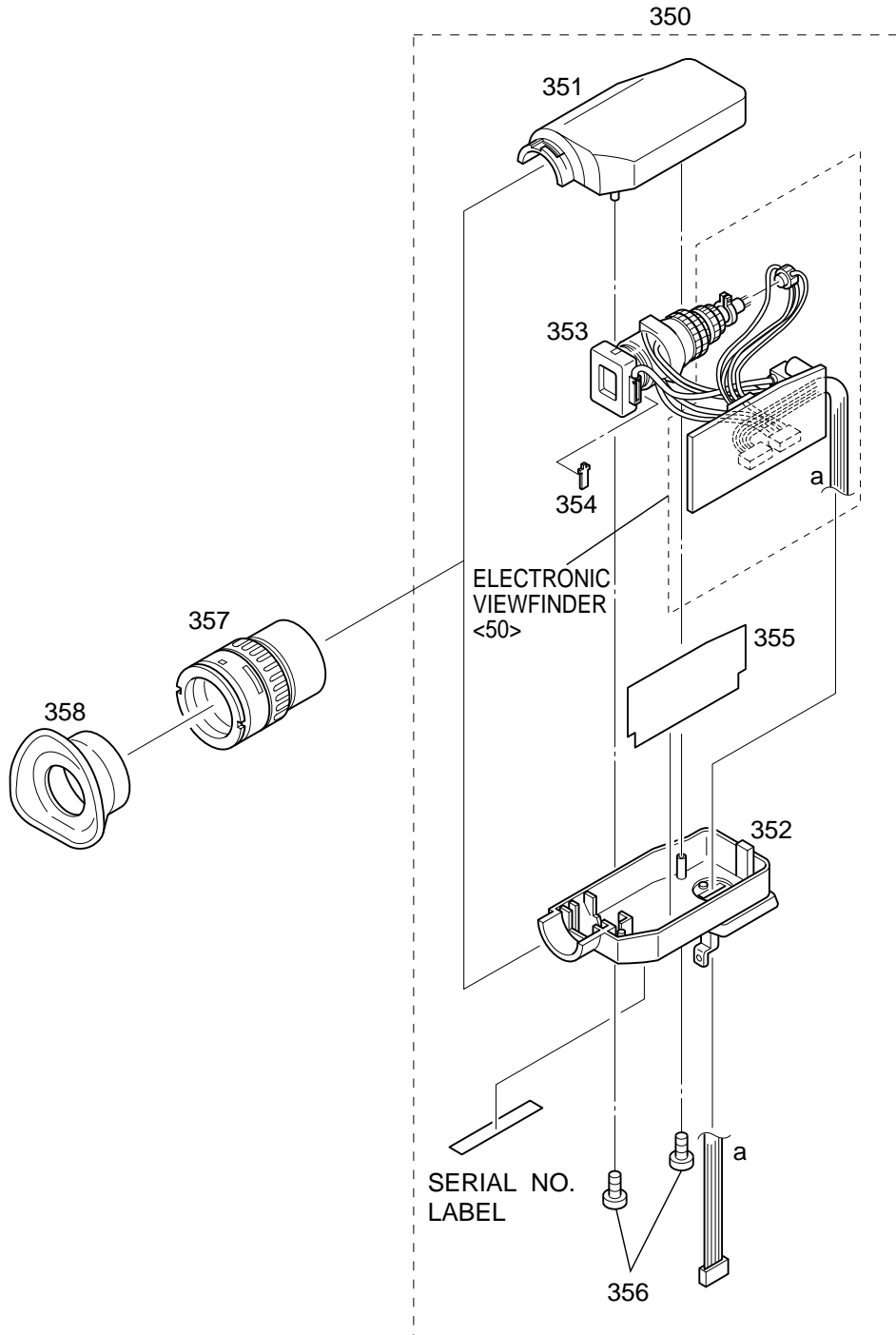
#	△ REF No.	PART No.	PART NAME, DESCRIPTION	#	△ REF No.	PART No.	PART NAME, DESCRIPTION

FINAL ASSEMBLY <M2>							
						LY20678-002A	FRAME ASSY,A
				130A		YQ31843	BASE
				130B		QYSLSF2060D	SCREW,X2
				130C		LY30029-0A4A	SPACER(A)
				130D		LY41082-001A	CUSHION(OP),X2
				130E		YQ43810-1-1	CONTACT(LIGHT),X2,B,C,D
				130F		WJM0167-001A	E-SI C WIRE C-F,B,C,D
				131		LY42758-001A	S.CASE(MAIN)
				132		QYSPSTU1725M	SCREW
				133		LY41173-001A	SPECIAL SCREW,X2
				134		QYSLSF1750D	SCREW
				135		LY30018-050A	SPECIAL SCREW,X2
				136		QYSLSF2060D	SCREW
				137		WJT0039-001A	E-CARD WIRE,OP-MAIN CN15
				138		QYSLSF2060D	SCREW, B,C,D
				140		LY31790-001A	FRONT FRAME ASSY
				140A		YQ44144-1-1	TAPE GUIDE
				141		SPSH1725M	SCREW,X2
				142		LY31807-001A	SIDE BRACKET L
				143		LY42722-003A	SCREW
				144		LY31806-001A	SIDE BRACKET R
				145		LY42722-003A	SCREW
				148		LY31816-001A	BRACKET(MECHA)
				149		LY42722-003A	SCREW,X2
				150		LY31808-001A	C.HOUSING ASSY
				151		LY42722-003A	SCREW,X4
				152		LY31294-001B	C.COVER INSIDE
				153		LY32026-001B	BRACKET(C.C/S)
				154		LY32041-001B	BUTTON(P)ASSY
				154A		LY30002-049A	COMPRESSION SPRING
				155		LY32038-001A	UPPER COVER(S)ASSY
- OPTICAL BLOCK SECTION -							
				251		LY30948-003A	OP BLOCK ASSY
				251A		PTY30948-002	FOCUS MOTOR
				251B		PTY30948-301	ZOOM MOTOR
				251C		PTY30151-016	SCREW,X9
				251D		PTY30948-006	IRIS MOTOR UNIT,INCL.FPC
				252		QYSPSGU2080Z	SCREW,X2
				253		LY31441-001A	SPACER RUBBER
				254		LY41370-001A	OP LPF,D
						LY41756-001A	OPTICAL LPF,A,B,C
				255		LY20086-001A	CCD SPACER,D
						LY20346-001A	CCD SPACER,A,B,C
				256		LY30018-072A	SPECIAL SCREW
				257		LYH40018-003A	CCD BASE ASSY,A,B,C
						LYH40018-004A	CCD BASE ASSY,D
101		LY20684-004A	LOWER CASE ASSY,D				
		LY20684-003B	LOWER CASE ASSY,B,C				
		LY20684-001B	LOWER CASE ASSY,A				
101A		LY40081-001A	CAP				
101B		LY20682-001A	GRIP BELT				
101C		LY30018-003A	SPECIAL SCREW				
102		LY31945-001B	COVER(JACK)				
103		LY31946-001A	COVER(JIG)				
104		LY20683-014A	FRONT COVER ASSY,D				
		LY20683-001B	FRONT COVER ASSY,B,C				
		LY20683-002B	FRONT COVER ASSY,A				
104A		LY31937-001A	HOOD				
104B		LY31938-001A	COVER(HOOD)				
104C		LY31936-001A	RING				
104D		QYSLSF2060D	SCREW,X4				
104E		LY32040-001A	DC LIGHT,B,C,D				
		LY30934-015A	COVER(LIGHT),A				
104F		LY30029-0B4A	SPACER(A),B,C,D				
104G		LY32043-001A	MICROPHONE				
△ 104H		YQ44341-6	CAUTION LABEL,B,C,D				
105		LY20680-001A	CASS.COVER(S)ASSY,B,C				
		LY20680-003A	CASS.COVER(S)ASSY,D				
		LY20680-002A	CASS.COVER(S)ASSY,A				
105A		LY42883-001A	MARK				
105B		LY32024-001A	HINGE(C.COVER)				
105C		QYSLSF2060D	SPECIAL SCREW,X2				
105D		LY32023-001A	WINDOW(S),B,C				
		LY32023-004A	WINDOW(S),D				
		LY32023-002A	WINDOW(S),A				
106		LY10272-001A	UPPER CASE(S),B,C				
		LY10272-003A	UPPER CASE(S),A				
		LY10272-002A	UPPER CASE(S),D				
107		LY32058-002A	STICKER(A),B,C,D				
		LY32058-001A	STICKER(A),A				
108		LY32060-002A	STICKER(C),D				
		LY32060-001A	STICKER(C),A,B,C				
109		LY20614-002B	TOP OPE UNIT,D				
		LY20614-004B	TOP OPE UNIT,A				
		LY20614-001B	TOP OPE UNIT,B,C				
110		LY20613-001A	ZOOM UNIT				
111		LY20615-002A	REAR UNIT,D				
		LY20615-003A	REAR UNIT,A,B,C				
114		LY32061-003A	STICKER(D)				
115		QYSLSF2060D	SCREW,X5				
116		QYSLSF2060D	SCREW,X3				
117		QYSLSF2060D	SCREW,X3				
118		QYSLSF2060D	SCREW,X2				
119		QYSLSP2030D	SCREW				
120		QYSLSF2060D	SCREW,X2				
121		QYSLSF2050Z	SCREW,X3				
122		QYSLSF2060D	SCREW				
123		QYSLSF2060D	SCREW				
124		QYSLSF2060D	SCREW,X4				
125		QYSLSF2060D	SCREW,X2				
126		QYSLSF2060D	SCREW				
127		QYSLSP2030D	SCREW				
128		QYSLSF2060D	SCREW,X2				
130		LY20678-001A	FRAME ASSY,B,C,D				

#	△ REF No.	PART No.	PART NAME, DESCRIPTION	#	△ REF No.	PART No.	PART NAME, DESCRIPTION

MECHANISM ASSEMBLY <M3>							
400		YMA0030A-E	MECHA(B)ASSY,A	453		YQ31861-1-7	REEL DISC
		YMA0031A-E	MECHA(B)ASSY,B,C,D	454		LY42755-001A	WASHER
401		LY20612-001A	MAIN DECK ASSY	455		LY31924-001A	TAKE-UP GEAR
402		LY31817-001A	CAS.GUIDE(L)	456		LY42738-001A	BRAKE SUB GEAR
403		LY31815-001A	SW.LEVER(L)	457		LY42754-003A	SLIT WASHER,X3
404		LY42581-001A	TORSION SPRING	458		LY42544-001A	A/C HEAD UNIT
405		LY42722-001A	SCREW	459		SPSN1750Z	SCREW,X2
406		YQ44339A-7	C.GUIDE(R)ASSY,B,C,D	460		LY42517-001A	EJECT LEVER ASSY
406A		YQ32162-1-3	SW.LEVER(R),B,C,D	461		LY42754-003A	SLIT WASHER
406B		YQ44340-1-4	TORSION SPRING,B,C,D	462		YQ31833-1-1	LED GUIDE
407		LY42819-001A	SCREW,B,C,D	463		LY42722-001A	SCREW
408		LY31826-001A	MOTOR BRACKET ASSY	464		LY42729-001A	DRUM SPACER
409		YQ20793	WORM BRACKET	465		LY42722-001A	SCREW,X2
410		LY42722-001A	SCREW,X3	466		QSW0888-001	ROTARY ENCODER,A
411		LY31925-001A	WHEEL GEAR			QSW0888-002	ROTARY ENCODER,B,C,D
412		LY42730-001A	MIDDLE GEAR	467		LY42722-002A	SCREW,X4
413		LY42521-001A	CANCEL LEVER ASSY	468		LY31814-001A	LIMK LEVER
414		LY42754-003A	SLIT WASHER,X2	469		YDV2099A	DRUM ASSY
415		YQ20827-2-1	CONTROL CAM	469A		YDM1003-1-5	CATCHER
416		PQM30017-25	SLIT WASHER	469B		QYSPSPU1735M	SCREW,X2
417		LY42733-001A	LOADING GEAR(T)ASSY	470		LY42722-001A	SCREW,X2
418		LY42754-003A	SLIT WASHER	471		SPSH1740Z	SCREW,X2
419		LY42732-001A	LOADING GEAR(S)ASSY	472		YU42051	BRUSH
420		LY42754-003A	SLIT WASHER	473		LY42722-003A	SCREW
421		LY42403-001A	COVER PLATE				
422		LY42452-001A	LOADING RING ASSY				
423		LY42728-001A	SCREW,X4				
424		LY10239-001A	GUIDE RAIL				
425		LY42728-001A	SCREW,X8				
426		LY30161-001B	POLE BASE(S)ASSY				
427		LY30162-002A	POLE BASE(T)ASSY				
428		LY42523-001A	DRIVE LEVER ASSY				
429		LY42545-001A	SLANT ARM ASSY				
429A		LY42547-001A	TORSION SPRING(S)				
430		LY42754-003A	SLIT WASHER				
431		LY42739-001A	ROLLER BASE ASSY				
432		LY42722-001A	SCREW				
433		LY42494-001A	LINK ARM ASSY				
434		LY31814-001A	LINK LEVER				
435		LY40018-002A	PINCH ROLLER ARM ASSY				
436		PQM30017-25	SLIT WASHER,X2				
437		LY42541-001A	TAKE-UP GUIDE ARM ASSY				
438		LY42754-003A	SLIT WASHER				
439		LY42571-001A	TENSION ARM ASSY				
439A		LY42669-001A	TENSION SPRING				
440		LY42754-003A	SLIT WASHER				
441		YQ20797-1-5	MOTOR BASE				
442		LY42722-001A	SCREW,X2				
443		YQ44460	SCREW				
444		QAR0116-001	CAPSTAN MOTOR				
445		YQ44304	TAPPING SCREW,X3				
446		LY42731-001A	SLANT POLE BASE ASSY				
447		YQ44304	TAPPING SCREW				
448		YQ43710-2	TIMING BELT				
449		LY42678-001A	CENTER PULLEY UNIT				
450		LY42722-002A	SCREW,X2				
451		LY42670-001A	SUPPLY CLUTCH ASSY				
452		LY42754-003A	SLIT WASHER				

5.4 ELECTRONIC VIEWFINDER ASSEMBLY <M4>



Δ REF No. PART No. PART NAME, DESCRIPTION

ELECTRONIC VIEWFINDER ASSEMBLY <M4>

Δ 350	LY20686-001A	E.VF ASSY
Δ 351	PTY20307-002	TOP CASE
Δ 352	PTY20686-012	BOTTOM CASE ASSY

Δ REF No. PART No. PART NAME, DESCRIPTION

Δ 353	YQ31803-001	CRY/DY ASSY
Δ 354	YU30181-014	HV COVER
Δ 355	PTY20307-100	INSULATOR
356	YU30045-014	SCREW,X2
357	PTY20307-200	LENS ASSY
358	PTY20307-201	EYE CAP

5.5 ELECTRICAL PARTS LIST

MODEL	MARK
GR-FX12EG	A
GR-SX22EG	B
GR-SX22EK	C
GR-SX202EG	D

#	△ REF No.	PART No.	PART NAME, DESCRIPTION

MAIN BOARD ASSEMBLY <01>			
		PW	YB10310EG-01 MAIN BOARD ASSY,D
			YB10310ET-01 MAIN BOARD ASSY,C
			YB10310EF-01 MAIN BOARD ASSY,A
			YB10310EA-01 MAIN BOARD ASSY,B
		IC101	UPD703039-027 IC(MICRO C ROM)
			or UPD70F3040-027 IC(MICRO C ROM)
		IC102	TC7S86FU IC(DIGITAL)
			or SN74AHC1G86K IC
			or MC74VHC1G86DF IC
		IC104	AT25080N-10SC-X IC
			or X25170S8I-2.5-X IC
			or 25LC080-I/SN-X IC
		IC105	M62367GP IC
		IC106	IC-PST9327U-X IC
		IC107	RS5C314 IC
	△	IC1601	BD6630KV IC
		IC1801	PIC-26043S IR DETECT UNIT,D
		IC2001	MC74AC04DT IC
		IC3001	JCY0130 IC
		IC3002	74HC1G04GW IC
		IC3501	HA118224F IC
		IC4001	JCY0149 IC(DSP)
		IC4002	TMS4C2973-28-X IC,D
		IC4003	UPD6467GR-506-X IC(MICRO C ROM)
		IC4201	UPC358G2/5/-W IC
		IC4202	BA10324AF-XE IC
		IC4251	BA10358F-XE IC
		IC4501	UPD16835G3 IC
		IC4702	NJM2534V IC,B,D
		IC5201	HD49326BF IC
		IC5202	JCY0098 IC
		IC6001	FA3698F IC
		Q101	2SA1774/RS/-X TRANSISTOR
		Q102	DTC144EE TRANSISOR
		Q103	2SC4617/QR/-X TRANSISTOR
		Q104	DTC144EE TRANSISOR
		Q105	2SA1774/RS/-X TRANSISTOR
		Q110	DTC144EE TRANSISOR
		Q111	DTC114EE TRANSISOR
		Q112	DTC114EE TRANSISOR
		Q113	2SC4097/QR/-X TRANSISTOR
		Q2001	DTA114TE TRANSISOR
		Q2007	PUMX1 PAIR TRANSISTOR
			or HN1C01FU/G/-X PAIR TRANSISTOR
			or UMX1N PAIR TRANSISTOR
		Q2008	PUMT1 PAIR TRANSISTOR
			or HN1A01FU/G/-X PAIR TRANSISTOR
		Q2021	DTC144EE TRANSISOR
		Q2022	DTC144EE TRANSISOR
		Q2023	2SC4617/QR/-X TRANSISTOR
		Q2071	2SC4617/QR/-X TRANSISTOR
		Q3002	PUMX1 PAIR TRANSISTOR
			or UMX1N PAIR TRANSISTOR
			or HN1C01FU/G/-X PAIR TRANSISTOR
		Q3003	2SC4097/QR/-X TRANSISTOR
		Q3006	DTC144EE TRANSISOR,B,C,D
		Q3501	HN1C01FU/G/-X PAIR TRANSISTOR

#	△ REF No.	PART No.	PART NAME, DESCRIPTION
		Q3502	HN1C01FU/G/-X PAIR TRANSISTOR
		Q3505	DTC144EE TRANSISOR,B,C,D
		Q3901	HN1A01FU/G/-X PAIR TRANSISTOR
		Q4201	2SC4617/QR/-X TRANSISTOR
			or 2SC4738/YG/-X TRANSISTOR,C
		Q4251	RPM-22PB PHOTO TRANSISTOR
		Q4501	DTC114EE TRANSISOR
		Q4701	HN1C01FU/G/-X PAIR TRANSISTOR
		Q4702	2SC4617/QR/-X TRANSISTOR
			or 2SC4738/YG/-X TRANSISTOR,C
		Q4703	PUMX1 PAIR TRANSISTOR
			or HN1C01FU/G/-X PAIR TRANSISTOR
			or UMX1N PAIR TRANSISTOR
		Q4704	PUMT1 PAIR TRANSISTOR
			or HN1A01FU/G/-X PAIR TRANSISTOR
		Q4705	2SC4617/QR/-X TRANSISTOR,B,C,D
		Q4706	2SC4617/QR/-X TRANSISTOR,B,C,D
		Q4707	2SC4617/QR/-X TRANSISTOR,B,C,D
		Q4708	2SC4617/QR/-X TRANSISTOR,B,D
		Q4709	2SC4617/QR/-X TRANSISTOR,B,D
		Q4710	2SC4617/QR/-X TRANSISTOR,B,D
		Q4711	PUMX1 PAIR TRANSISTOR,B,C,D
			or HN1C01FU/G/-X PAIR TRANSISTOR,B,C,D
			or UMX1N PAIR TRANSISTOR,B,C,D
		Q4712	PUMT1 PAIR TRANSISTOR,B,C,D
			or HN1A01FU/G/-X PAIR TRANSISTOR,B,C,D
		Q4713	PUMX1 PAIR TRANSISTOR,B,C,D
			or UMX1N PAIR TRANSISTOR,B,C,D
			or HN1C01FU/G/-X PAIR TRANSISTOR,B,C,D
		Q4714	PUMT1 PAIR TRANSISTOR,B,C,D
			or HN1A01FU/G/-X PAIR TRANSISTOR,B,C,D
		Q4715	HN1C01FU/G/-X PAIR TRANSISTOR,B,C,D
		Q4716	DTC144EE TRANSISOR,B,D
		Q4717	DTA144EE TRANSISOR,B,D
		Q6101	SSM6J07FU MOS FET
		Q6106	HN1C01FU/G/-X PAIR TRANSISTOR
		Q6107	SSM3J05FU MOS FET
		Q6201	SSM6J07FU MOS FET
		Q6301	CPH3304 MOS FET
		Q6306	SSM3K02F MOS FET,B,C,D
		Q6401	SSM6J07FU MOS FET
		Q6501	SSM6J07FU MOS FET
		Q6601	CPH3304 MOS FET
		Q6608	DTC144EE TRANSISOR
		Q6621	HN1C01FU/G/-X PAIR TRANSISTOR
		Q6622	2SA1577/QR/-X TRANSISTOR
		Q6701	FX802 TRANSISTOR
		Q6702	2SC4097/QR/-X TRANSISTOR
		Q6801	2SA1577/QR/-X TRANSISTOR
		Q6811	2SB1121/TU/-X TRANSISTOR
		Q7023	2SA1774/QR/-X TRANSISTOR
	△	D101	SB007W03Q SB DIODE
	△		or RB715F SB DIODE
		D102	UDZS7.5B ZENER DIODE
		D105	1SS355 DIODE
		D106	1SS355 DIODE
		D107	SB007W03Q SB DIODE
			or RB715F SB DIODE
		D501	MA8068 ZENER DIODE
			or RD6.8S/B/-X ZENER DIODE
		D502	MA8068 ZENER DIODE

#	△ REF No.	PART No.	PART NAME, DESCRIPTION
		or RD6.8S/B/-X	ZENER DIODE
	D3001	DAN222	DIODE,B,C,D
	D5201	1SS355	DIODE
	D6001	CRS03	SB DIODE
	D6101	CRS03	SB DIODE
	D6106	1SS357	SB DIODE
	D6201	CRS03	SB DIODE
	D6301	CRS03	SB DIODE
	D6401	CRS03	SB DIODE
	D6501	CRS03	SB DIODE
	D6601	1SS383	SB DIODE
	D6616	UDZS6.8B	ZENER DIODE,D
		UDZS8.2B	ZENER DIODE,A,B,C
	R101	NRSA63J-104X	MG RESISTOR 100kΩ,1/16W
△	R104	NRSA63J-102X	MG RESISTOR 1kΩ,1/16W
	R105	NRSA63J-103X	MG RESISTOR 10kΩ,1/16W
	R106	NRSA63J-561X	MG RESISTOR 560Ω,1/16W
	R107	NRVA63D-153X	CMF RESISTOR 15kΩ,1/16W
	R108	NRVA63D-243X	CMF RESISTOR 24kΩ,1/16W
	R109	NRVA63D-183X	CMF RESISTOR 18kΩ,1/16W
	R110	NRSA63J-103X	MG RESISTOR 10kΩ,1/16W
	R111	NRSA63J-273X	MG RESISTOR 27kΩ,1/16W
	R112	NRSA63J-331X	MG RESISTOR 330Ω,1/16W
	R113	NRSA63J-562X	MG RESISTOR 5.6kΩ,1/16W
	R114	NRSA63J-821X	MG RESISTOR 820Ω,1/16W
	R115	NRSA63J-101X	MG RESISTOR 100Ω,1/16W
	R116	NRSA63J-102X	MG RESISTOR 1kΩ,1/16W
	R118	NRSA63J-103X	MG RESISTOR 10kΩ,1/16W
	R119	NRSA63J-103X	MG RESISTOR 10kΩ,1/16W
	R120	NRSA63J-273X	MG RESISTOR 27kΩ,1/16W
	R121	NRSA63J-273X	MG RESISTOR 27kΩ,1/16W
	R122	NRSA63J-393X	MG RESISTOR 39kΩ,1/16W
	R123	NRSA63J-104X	MG RESISTOR 100kΩ,1/16W
	R124	NRSA63J-104X	MG RESISTOR 100kΩ,1/16W
	R125	NRSA63J-273X	MG RESISTOR 27kΩ,1/16W
	R126	NRSA63J-153X	MG RESISTOR 15kΩ,1/16W
	R127	NRSA63J-221X	MG RESISTOR 220Ω,1/16W
	R128	NRSA63J-102X	MG RESISTOR 1kΩ,1/16W
	R129	NRSA63J-102X	MG RESISTOR 1kΩ,1/16W
	R130	NRSA63J-105X	MG RESISTOR 1MΩ,1/16W
	R131	NRSA63J-105X	MG RESISTOR 1MΩ,1/16W
	R132	NRSA63J-105X	MG RESISTOR 1MΩ,1/16W
	R133	NRSA63J-105X	MG RESISTOR 1MΩ,1/16W
	R134	NRSA63J-105X	MG RESISTOR 1MΩ,1/16W
	R135	NRSA63J-104X	MG RESISTOR 100kΩ,1/16W
	R136	NRSA63J-474X	MG RESISTOR 470kΩ,1/16W
	R138	NRSA63J-333X	MG RESISTOR 33kΩ,1/16W
	R139	NRSA63J-104X	MG RESISTOR 100kΩ,1/16W
	R140	NRSA63J-753X	MG RESISTOR 75kΩ,1/16W
	R141	NRSA63J-334X	MG RESISTOR 330kΩ,1/16W
	R142	NRSA63J-103X	MG RESISTOR 10kΩ,1/16W
	R143	NRSA63J-105X	MG RESISTOR 1MΩ,1/16W
	R144	NRSA63J-221X	MG RESISTOR 220Ω,1/16W
	R145	NRSA63J-222X	MG RESISTOR 2.2kΩ,1/16W
	R146	NRSA63J-474X	MG RESISTOR 470kΩ,1/16W
	R147	NRSA63J-472X	MG RESISTOR 4.7kΩ,1/16W
	R148	NRSA63J-0R0X	MG RESISTOR 0Ω,1/16W
	R149	NRSA63J-104X	MG RESISTOR 100kΩ,1/16W
	R150	NRSA63J-222X	MG RESISTOR 2.2kΩ,1/16W
	R151	NRSA63J-222X	MG RESISTOR 2.2kΩ,1/16W
	R152	NRSA63J-474X	MG RESISTOR 470kΩ,1/16W

#	△ REF No.	PART No.	PART NAME, DESCRIPTION
	R153	NRSA63J-474X	MG RESISTOR 470kΩ,1/16W
	R158	NRSA63J-474X	MG RESISTOR 470kΩ,1/16W
	R159	NRSA63J-474X	MG RESISTOR 470kΩ,1/16W
	R160	NRSA63J-474X	MG RESISTOR 470kΩ,1/16W
	R161	NRSA63J-104X	MG RESISTOR 100kΩ,1/16W
	R162	NRSA63J-472X	MG RESISTOR 4.7kΩ,1/16W
	R163	NRSA63J-221X	MG RESISTOR 220Ω,1/16W
	R164	NRSA63J-472X	MG RESISTOR 4.7kΩ,1/16W
	R166	NRSA63J-103X	MG RESISTOR 10kΩ,1/16W
	R167	NRSA63J-183X	MG RESISTOR 18kΩ,1/16W
	R168	NRSA63J-562X	MG RESISTOR 5.6kΩ,1/16W
	R170	NRSA63J-333X	MG RESISTOR 33kΩ,1/16W
	R171	NRSA63J-104X	MG RESISTOR 100kΩ,1/16W
	R172	NRSA63J-151X	MG RESISTOR 150Ω,1/16W
	R173	NRSA63J-0R0X	MG RESISTOR 0Ω,1/16W
	R174	NRSA63J-0R0X	MG RESISTOR 0Ω,1/16W
	R175	NRSA63J-105X	MG RESISTOR 1MΩ,1/16W
	R176	NRSA63J-221X	MG RESISTOR 220Ω,1/16W
	R180	NRSA63J-331X	MG RESISTOR 330Ω,1/16W
	R182	NRSA63J-222X	MG RESISTOR 2.2kΩ,1/16W
	R183	NRSA63J-222X	MG RESISTOR 2.2kΩ,1/16W
	R184	NRSA63J-222X	MG RESISTOR 2.2kΩ,1/16W
	R188	NRSA63J-222X	MG RESISTOR 2.2kΩ,1/16W
	R190	NRSA63J-331X	MG RESISTOR 330Ω,1/16W
	R191	NRSA63J-0R0X	MG RESISTOR 0Ω,1/16W
	R192	NRSA63J-105X	MG RESISTOR 1MΩ,1/16W
	R195	NRSA63J-0R0X	MG RESISTOR 0Ω,1/16W
	R504	NRSA63J-221X	MG RESISTOR 220Ω,1/16W
	R505	NRSA63J-331X	MG RESISTOR 330Ω,1/16W
	R1601	NRV142F-R33X	CMF RESISTOR 0.33Ω,1/4W
	R1602	NRV142F-R33X	CMF RESISTOR 0.33Ω,1/4W
	R1603	NRSA63J-154X	MG RESISTOR 150kΩ,1/16W
	R1604	NRSA63J-102X	MG RESISTOR 1kΩ,1/16W
	R1605	NRSA63J-102X	MG RESISTOR 1kΩ,1/16W
	R1606	NRSA63J-102X	MG RESISTOR 1kΩ,1/16W
	R1607	NRSA63J-104X	MG RESISTOR 100kΩ,1/16W
	R1608	NRSA63J-104X	MG RESISTOR 100kΩ,1/16W
	R1609	NRSA63J-333X	MG RESISTOR 33kΩ,1/16W
	R1610	NRSA63J-103X	MG RESISTOR 10kΩ,1/16W
	R1612	NRSA63J-392X	MG RESISTOR 3.9kΩ,1/16W
	R1613	NRSA63J-104X	MG RESISTOR 100kΩ,1/16W
	R1614	NRSA63J-333X	MG RESISTOR 33kΩ,1/16W
	R1615	NRSA63J-103X	MG RESISTOR 10kΩ,1/16W
	R1617	NRSA63J-183X	MG RESISTOR 18kΩ,1/16W
	R1618	NRSA63J-154X	MG RESISTOR 150kΩ,1/16W
	R1619	NRSA63J-471X	MG RESISTOR 470Ω,1/16W
	R1620	NRSA63J-684X	MG RESISTOR 680kΩ,1/16W
	R1621	NRSA63J-102X	MG RESISTOR 1kΩ,1/16W
	R1622	NRSA63J-224X	MG RESISTOR 220kΩ,1/16W
	R1623	NRSA63J-223X	MG RESISTOR 22kΩ,1/16W
	R1624	NRSA63J-104X	MG RESISTOR 100kΩ,1/16W
	R1625	NRSA63J-104X	MG RESISTOR 100kΩ,1/16W
	R1626	NRSA63J-104X	MG RESISTOR 100kΩ,1/16W
	R1628	NRSA63J-0R0X	MG RESISTOR 0Ω,1/16W
	R1629	NRSA63J-0R0X	MG RESISTOR 0Ω,1/16W
	R1630	NRSA63J-0R0X	MG RESISTOR 0Ω,1/16W
	R1631	NRSA63J-122X	MG RESISTOR 1.2kΩ,1/16W
	R1632	NRSA63J-153X	MG RESISTOR 15kΩ,1/16W
	R1633	NRSA63J-683X	MG RESISTOR 68kΩ,1/16W
	R2001	NRSA63J-104X	MG RESISTOR 100kΩ,1/16W
	R2002	NRSA63J-332X	MG RESISTOR 3.3kΩ,1/16W

#	△ REF No.	PART No.	PART NAME, DESCRIPTION	#	△ REF No.	PART No.	PART NAME, DESCRIPTION	
R2003		NRSA63J-102X	MG RESISTOR	1kΩ, 1/16W	R4013	NRVA63D-152X	CMF RESISTOR	1.5kΩ, 1/16W
R2004		NRSA63J-681X	MG RESISTOR	680Ω, 1/16W	R4014	NRVA63D-122X	CMF RESISTOR	1.2kΩ, 1/16W
R2005		NRSA63J-272X	MG RESISTOR	2.7kΩ, 1/16W	R4036	NRSA63J-0R0X	MG RESISTOR	0Ω, 1/16W
R2006		NRSA63J-102X	MG RESISTOR	1kΩ, 1/16W	R4037	NRSA63J-102X	MG RESISTOR	1kΩ, 1/16W
R2011		NRSA63J-101X	MG RESISTOR	100Ω, 1/16W	R4201	NRSA63J-103X	MG RESISTOR	10kΩ, 1/16W
R2012		NRSA63J-101X	MG RESISTOR	100Ω, 1/16W	R4202	NRSA63J-563X	MG RESISTOR	56kΩ, 1/16W
R2021		NRSA63J-103X	MG RESISTOR	10kΩ, 1/16W	R4203	NRSA63J-103X	MG RESISTOR	10kΩ, 1/16W
R2022		NRSA63J-334X	MG RESISTOR	330kΩ, 1/16W	R4204	NRSA63J-331X	MG RESISTOR	330Ω, 1/16W
R2023		NRSA63J-820X	MG RESISTOR	82Ω, 1/16W	R4205	NRSA63J-105X	MG RESISTOR	1MΩ, 1/16W
R2024		NRVA63D-183X	CMF RESISTOR	18kΩ, 1/16W	R4206	NRSA63J-103X	MG RESISTOR	10kΩ, 1/16W
R2025		NRSA63J-823X	MG RESISTOR	82kΩ, 1/16W	R4207	NRSA63J-104X	MG RESISTOR	100kΩ, 1/16W
R2026		NRSA63J-0R0X	MG RESISTOR	0Ω, 1/16W	R4208	NRSA63J-472X	MG RESISTOR	4.7kΩ, 1/16W
R2027		NRSA63J-102X	MG RESISTOR	1kΩ, 1/16W	R4209	NRSA63J-104X	MG RESISTOR	100kΩ, 1/16W
R2028		NRSA63J-102X	MG RESISTOR	1kΩ, 1/16W	R4210	NRSA63J-105X	MG RESISTOR	1MΩ, 1/16W
R2029		NRSA63J-0R0X	MG RESISTOR	0Ω, 1/16W	R4211	NRSA63J-243X	MG RESISTOR	24kΩ, 1/16W
R2030		NRSA63J-104X	MG RESISTOR	100kΩ, 1/16W	R4214	NRSA63J-472X	MG RESISTOR	4.7kΩ, 1/16W
R2031		NRSA63J-332X	MG RESISTOR	3.3kΩ, 1/16W	R4215	NRSA63J-683X	MG RESISTOR	68kΩ, 1/16W
R2032		NRSA63J-270X	MG RESISTOR	27Ω, 1/16W	R4216	NRSA63J-103X	MG RESISTOR	10kΩ, 1/16W
R2051		NRSA63J-102X	MG RESISTOR	1kΩ, 1/16W	R4217	NRSA63J-102X	MG RESISTOR	1kΩ, 1/16W
R2071		NRSA63J-473X	MG RESISTOR	47kΩ, 1/16W	R4218	NRSA63J-102X	MG RESISTOR	1kΩ, 1/16W
R2072		NRSA63J-562X	MG RESISTOR	5.6kΩ, 1/16W	R4219	NRSA63J-104X	MG RESISTOR	100kΩ, 1/16W
R3001		NRSA63J-105X	MG RESISTOR	1MΩ, 1/16W	R4220	NRSA63J-152X	MG RESISTOR	1.5kΩ, 1/16W
R3002		NRVA63D-471X	CMF RESISTOR	470Ω, 1/16W	R4221	NRSA63J-334X	MG RESISTOR	330kΩ, 1/16W
R3004		NRVA63D-333X	CMF RESISTOR	33kΩ, 1/16W	R4222	NRSA63J-154X	MG RESISTOR	150kΩ, 1/16W
R3006		NRVA63D-561X	CMF RESISTOR	560Ω, 1/16W	R4223	NRSA63J-333X	MG RESISTOR	33kΩ, 1/16W
R3007		NRVA63D-183X	CMF RESISTOR	18kΩ, 1/16W	R4224	NRSA63J-223X	MG RESISTOR	22kΩ, 1/16W
R3008		NRSA63J-393X	MG RESISTOR	39kΩ, 1/16W	R4251	NRSA63J-182X	MG RESISTOR	1.8kΩ, 1/16W
R3009		NRSA63J-272X	MG RESISTOR	2.7kΩ, 1/16W	R4252	NRSA63J-103X	MG RESISTOR	10kΩ, 1/16W
R3010		NRSA63J-332X	MG RESISTOR	3.3kΩ, 1/16W	R4253	NRSA63J-103X	MG RESISTOR	10kΩ, 1/16W
R3014		NRSA63J-681X	MG RESISTOR	680Ω, 1/16W	R4254	NRSA63J-684X	MG RESISTOR	680kΩ, 1/16W
R3015		NRSA63J-332X	MG RESISTOR	3.3kΩ, 1/16W	R4255	NRSA63J-222X	MG RESISTOR	2.2kΩ, 1/16W
R3016		NRSA63J-332X	MG RESISTOR	3.3kΩ, 1/16W	R4256	NRSA63J-824X	MG RESISTOR	820kΩ, 1/16W
R3018		NRSA63J-271X	MG RESISTOR	270Ω, 1/16W	R4257	NRSA63J-822X	MG RESISTOR	8.2kΩ, 1/16W
R3023		NRSA63J-331X	MG RESISTOR	330Ω, 1/16W	R4258	NRSA63J-104X	MG RESISTOR	100kΩ, 1/16W
R3027		NRSA63J-103X	MG RESISTOR,B,C,D	10kΩ, 1/16W	R4259	NRSA63J-683X	MG RESISTOR	68kΩ, 1/16W
R3028		NRVA63D-472X	CMF RESISTOR	4.7kΩ, 1/16W	R4262	NRSA63J-302X	MG RESISTOR	3kΩ, 1/16W
R3029		NRSA63J-0R0X	MG RESISTOR	0Ω, 1/16W	△ R4501	NRSA63J-6R8X	MG RESISTOR	6.8Ω, 1/16W
R3030		NRSA63J-561X	MG RESISTOR	560Ω, 1/16W	△ R4502	NRSA63J-6R8X	MG RESISTOR	6.8Ω, 1/16W
R3034		NRSA63J-220X	MG RESISTOR	22Ω, 1/16W	△ R4503	NRSA63J-6R8X	MG RESISTOR	6.8Ω, 1/16W
R3038		NRSA63J-392X	MG RESISTOR	3.9kΩ, 1/16W	△ R4504	NRSA63J-6R8X	MG RESISTOR	6.8Ω, 1/16W
R3501		NRSA63J-221X	MG RESISTOR	220Ω, 1/16W	R4505	NRSA63J-271X	MG RESISTOR	270Ω, 1/16W
R3502		NRSA63J-102X	MG RESISTOR	1kΩ, 1/16W	R4507	NRSA63J-103X	MG RESISTOR	10kΩ, 1/16W
R3504		NRSA63J-102X	MG RESISTOR	1kΩ, 1/16W	R4508	NRSA63J-103X	MG RESISTOR	10kΩ, 1/16W
R3505		NRSA63J-102X	MG RESISTOR	1kΩ, 1/16W	R4514	NRSA63J-223X	MG RESISTOR	22kΩ, 1/16W
R3506		NRSA63J-102X	MG RESISTOR	1kΩ, 1/16W	R4515	NRSA63J-182X	MG RESISTOR	1.8kΩ, 1/16W
R3507		NRSA63J-101X	MG RESISTOR	100Ω, 1/16W	R4701	NRSA63J-0R0X	MG RESISTOR,A	0Ω, 1/16W
R3508		NRSA63J-153X	MG RESISTOR	15kΩ, 1/16W	R4702	NRSA63J-101X	MG RESISTOR,B,C,D	100Ω, 1/16W
R3901		NRSA63J-100X	MG RESISTOR	10Ω, 1/16W		NRSA63J-750X	MG RESISTOR,A	75Ω, 1/16W
R3902		NRSA63J-101X	MG RESISTOR	100Ω, 1/16W	R4703	NRVA63D-561X	CMF RESISTOR	560Ω, 1/16W
R3903		NRSA63J-182X	MG RESISTOR	1.8kΩ, 1/16W	R4704	NRVA63D-272X	CMF RESISTOR	2.7kΩ, 1/16W
R4001		NRSA63J-113X	MG RESISTOR	11kΩ, 1/16W	R4705	NRVA63D-472X	CMF RESISTOR	4.7kΩ, 1/16W
R4002		NRSA63J-123X	MG RESISTOR	12kΩ, 1/16W	R4706	NRSA63J-681X	MG RESISTOR	680Ω, 1/16W
R4003		NRSA63J-153X	MG RESISTOR	15kΩ, 1/16W	R4707	NRSA63J-122X	MG RESISTOR	1.2kΩ, 1/16W
R4004		NRSA63J-103X	MG RESISTOR	10kΩ, 1/16W	R4708	NRSA63J-104X	MG RESISTOR	100kΩ, 1/16W
R4006		NRVA63D-103X	CMF RESISTOR	10kΩ, 1/16W	R4709	NRSA63J-332X	MG RESISTOR	3.3kΩ, 1/16W
R4007		NRVA63D-392X	CMF RESISTOR	3.9kΩ, 1/16W	R4710	NRSA63J-332X	MG RESISTOR	3.3kΩ, 1/16W
R4008		NRVA63D-272X	CMF RESISTOR	2.7kΩ, 1/16W	R4711	NRSA63J-151X	MG RESISTOR,B,C,D	150Ω, 1/16W
R4009		NRVA63D-152X	CMF RESISTOR	1.5kΩ, 1/16W	R4712	NRVA63D-511X	CMF RESISTOR,B,C,D	510Ω, 1/16W
R4010		NRVA63D-122X	CMF RESISTOR	1.2kΩ, 1/16W	R4713	NRSA63J-681X	MG RESISTOR,B,C,D	680Ω, 1/16W
R4011		NRVA63D-152X	CMF RESISTOR	1.5kΩ, 1/16W	R4714	NRSA63J-122X	MG RESISTOR,B,C,D	1.2kΩ, 1/16W
R4012		NRVA63D-122X	CMF RESISTOR	1.2kΩ, 1/16W	R4715	NRSA63J-0R0X	MG RESISTOR,C	0Ω, 1/16W

#	△ REF No.	PART No.	PART NAME, DESCRIPTION	#	△ REF No.	PART No.	PART NAME, DESCRIPTION
R4716		NRVA63D-621X	CMF RESISTOR,B,C,D 620Ω,1/16W	R6108		NRVA63D-153X	CMF RESISTOR 15kΩ,1/16W
R4717		NRVA63D-222X	CMF RESISTOR,B,C,D 2.2kΩ,1/16W	R6109		NRVA63D-103X	CMF RESISTOR 10kΩ,1/16W
R4718		NRSA63J-104X	MG RESISTOR,B,C,D 100kΩ,1/16W	R6110		NRSA63J-0R0X	MG RESISTOR 0Ω,1/16W
R4719		NRSA63J-222X	MG RESISTOR,B,C,D 2.2kΩ,1/16W	R6203		NRVA63D-103X	CMF RESISTOR 10kΩ,1/16W
R4720		NRVA63J-0R0X	MG RESISTOR,A 0Ω,1/16W	R6204		NRVA63D-103X	CMF RESISTOR 10kΩ,1/16W
R4721		NRVA63D-750X	CMF RESISTOR,B,C,D 75Ω,1/16W	R6303		NRVA63D-183X	CMF RESISTOR 18kΩ,1/16W
R4722		NRVA63D-680X	CMF RESISTOR,B,C,D 68Ω,1/16W	R6304		NRVA63D-472X	CMF RESISTOR 4.7kΩ,1/16W
		NRVA63D-750X	CMF RESISTOR,A 75Ω,1/16W	R6306		NRS12BK-R47W	MG RESISTOR 0.47Ω,1/2W
R4723		NRVA63D-680X	CMF RESISTOR,B,C,D 68Ω,1/16W	R6307		NRSA63J-104X	MG RESISTOR,B,C,D 100kΩ,1/16W
R4724		NRSA63J-391X	MG RESISTOR,B,D 390Ω,1/16W	R6312		NRSA63J-0R0X	MG RESISTOR 0Ω,1/16W
R4725		NRSA63J-822X	MG RESISTOR,B,D 8.2kΩ,1/16W	R6403		NRSA63J-473X	MG RESISTOR 47kΩ,1/16W
R4726		NRSA63J-121X	MG RESISTOR,B,D 120Ω,1/16W	R6404		NRSA63J-302X	MG RESISTOR 3kΩ,1/16W
R4727		NRSA63J-102X	MG RESISTOR,B,D 1kΩ,1/16W	R6406		NRSA63J-183X	MG RESISTOR 18kΩ,1/16W
R4728		NRSA63J-471X	MG RESISTOR,B,D 470Ω,1/16W	R6407		NRSA63J-823X	MG RESISTOR 82kΩ,1/16W
R4729		NRSA63J-153X	MG RESISTOR,B,D 15kΩ,1/16W	R6503		NRSA63J-243X	MG RESISTOR 24kΩ,1/16W
R4730		NRSA63J-103X	MG RESISTOR,B,D 10kΩ,1/16W	R6504		NRSA63J-332X	MG RESISTOR 3.3kΩ,1/16W
R4731		NRSA63J-102X	MG RESISTOR,B,D 1kΩ,1/16W	R6506		NRSA63J-223X	MG RESISTOR 22kΩ,1/16W
R4732		NRSA63J-222X	MG RESISTOR,B,D 2.2kΩ,1/16W	R6507		NRSA63J-823X	MG RESISTOR 82kΩ,1/16W
R4733		NRSA63J-102X	MG RESISTOR,B,D 1kΩ,1/16W	R6603		NRVA63D-683X	CMF RESISTOR 68kΩ,1/16W
R4734		NRSA63J-102X	MG RESISTOR,B,D 1kΩ,1/16W	R6604		NRVA63D-392X	CMF RESISTOR 3.9kΩ,1/16W
R4735		NRSA63J-332X	MG RESISTOR,B,C,D 3.3kΩ,1/16W	R6605		NRSA63J-274X	MG RESISTOR 270kΩ,1/16W
R4736		NRSA63J-332X	MG RESISTOR,B,C,D 3.3kΩ,1/16W	R6606		NRSA63J-272X	MG RESISTOR 2.7kΩ,1/16W
R4737		NRSA63J-104X	MG RESISTOR,B,C,D 100kΩ,1/16W	R6612		NRSA63J-823X	MG RESISTOR 82kΩ,1/16W
R4738		NRSA63J-332X	MG RESISTOR,B,C,D 3.3kΩ,1/16W	R6613		NRSA63J-104X	MG RESISTOR 100kΩ,1/16W
R4739		NRSA63J-332X	MG RESISTOR,B,C,D 3.3kΩ,1/16W	R6614		NRSA63J-472X	MG RESISTOR 4.7kΩ,1/16W
R4741		NRVA63D-152X	CMF RESISTOR,B,C,D 1.5kΩ,1/16W	R6616		NRSA63J-102X	MG RESISTOR 1kΩ,1/16W
R4743		NRVA63D-153X	CMF RESISTOR,B,C,D 15kΩ,1/16W	R6622		NRVA63D-104X	CMF RESISTOR 100kΩ,1/16W
R4744		NRVA63D-222X	CMF RESISTOR,B,C,D 2.2kΩ,1/16W	R6623		NRVA63D-473X	CMF RESISTOR 47kΩ,1/16W
R4745		NRSA63J-471X	MG RESISTOR,B,C,D 470Ω,1/16W	R6624		NRSA63J-273X	MG RESISTOR 27kΩ,1/16W
R4746		NRVA63D-222X	CMF RESISTOR,B,C,D 2.2kΩ,1/16W	R6625		NRSA63J-822X	MG RESISTOR 8.2kΩ,1/16W
R4747		NRVA63D-471X	CMF RESISTOR,B,C,D 470Ω,1/16W	R6626		NRVA63D-563X	CMF RESISTOR 56kΩ,1/16W
R4748		NRVA63D-333X	CMF RESISTOR,A 33kΩ,1/16W	R6627		NRVA63D-363X	CMF RESISTOR 36kΩ,1/16W
R5201		NRSA63J-243X	MG RESISTOR 24kΩ,1/16W	R6701		NRSA63J-680X	MG RESISTOR 68Ω,1/16W
R5202		NRSA63J-220X	MG RESISTOR 22Ω,1/16W	R6702		NRSA63J-221X	MG RESISTOR 220Ω,1/16W
R5204		NRSA63J-0R0X	MG RESISTOR 0Ω,1/16W	R6704		NRVA63D-472X	CMF RESISTOR 4.7kΩ,1/16W
R5212		NRSA63J-101X	MG RESISTOR 100Ω,1/16W	R6706		NRZ0058-R20X	MG RESISTOR 0.2Ω,1/2W
R5213		NRSA63J-101X	MG RESISTOR 100Ω,1/16W	R6707		NRS016J-121X	MG RESISTOR 120Ω,1W
R5214		NRSA63J-101X	MG RESISTOR 100Ω,1/16W	R6708		NRS016J-121X	MG RESISTOR 120Ω,1W
R5215		NRSA63J-104X	MG RESISTOR 100kΩ,1/16W	R6709		NRS016J-121X	MG RESISTOR 120Ω,1W
R5216		NRSA63J-100X	MG RESISTOR 10Ω,1/16W	R6710		NRVA63D-823X	CMF RESISTOR 82kΩ,1/16W
R5217		NRSA63J-104X	MG RESISTOR 100kΩ,1/16W	R6711		NRVA63D-333X	CMF RESISTOR 33kΩ,1/16W
R5218		NRSA63J-0R0X	MG RESISTOR 0Ω,1/16W	R6712		NRSA63J-222X	MG RESISTOR 2.2kΩ,1/16W
R5220		NRSA63J-0R0X	MG RESISTOR 0Ω,1/16W	R6713		NRSA63J-562X	MG RESISTOR 5.6kΩ,1/16W
R6001		NRSA63J-104X	MG RESISTOR 100kΩ,1/16W	R6801		NRSA63J-102X	MG RESISTOR 1kΩ,1/16W
R6002		NRSA63J-333X	MG RESISTOR 33kΩ,1/16W	R6803		NRVA63D-223X	CMF RESISTOR 22kΩ,1/16W
R6003		NRVA63D-912X	CMF RESISTOR 9.1kΩ,1/16W	R6804		NRVA63D-103X	CMF RESISTOR 10kΩ,1/16W
R6004		NRVA63D-471X	CMF RESISTOR 470Ω,1/16W	R6810		NRSA63J-0R0X	MG RESISTOR 0Ω,1/16W
R6005		NRVA63D-183X	CMF RESISTOR 18kΩ,1/16W	R6811		NRSA63J-102X	MG RESISTOR 1kΩ,1/16W
R6006		NRSA63J-472X	MG RESISTOR 4.7kΩ,1/16W	R6813		NRVA63D-104X	CMF RESISTOR 100kΩ,1/16W
R6008		NRVA63D-183X	CMF RESISTOR 18kΩ,1/16W	R6814		NRVA63D-683X	CMF RESISTOR 68kΩ,1/16W
R6009		NRSA63J-224X	MG RESISTOR 220kΩ,1/16W	R6820		NRSA63J-102X	MG RESISTOR 1kΩ,1/16W
R6010		NRSA63J-473X	MG RESISTOR 47kΩ,1/16W	R7137		NRVA63D-911X	CMF RESISTOR 910Ω,1/16W
R6011		NRSA63J-473X	MG RESISTOR 47kΩ,1/16W	R7138		NRVA63D-271X	CMF RESISTOR 270Ω,1/16W
R6012		NRSA63J-103X	MG RESISTOR 10kΩ,1/16W	RA101		NRZ0038-222X	NETWORK RESISTOR 2.2kΩ
R6015		NRSA63J-104X	MG RESISTOR 100kΩ,1/16W	RA102		NRZ0038-222X	NETWORK RESISTOR 2.2kΩ
R6016		NRSA63J-104X	MG RESISTOR 100kΩ,1/16W	RA103		NRZ0038-222X	NETWORK RESISTOR 2.2kΩ
R6019		NRSA63J-222X	MG RESISTOR 2.2kΩ,1/16W	RA104		NRZ0038-222X	NETWORK RESISTOR 2.2kΩ
R6103		NRVA63D-223X	CMF RESISTOR 22kΩ,1/16W	RA105		NRZ0038-473X	NETWORK RESISTOR 47kΩ
R6104		NRVA63D-103X	CMF RESISTOR 10kΩ,1/16W	RA106		NRZ0037-331X	NETWORK RESISTOR 330Ω
R6106		NRSA63J-333X	MG RESISTOR 33kΩ,1/16W	RA107		NRZ0034-102W	NETWORK RESISTOR 1kΩ
R6107		NRSA63J-222X	MG RESISTOR 2.2kΩ,1/16W	RA108		NRZ0034-102W	NETWORK RESISTOR 1kΩ

#	△ REF No.	PART No.	PART NAME, DESCRIPTION	#	△ REF No.	PART No.	PART NAME, DESCRIPTION
RA109		NRZ0038-474X	NETWORK RESISTOR 470kΩ	C2005		NCB21CK-105X	CAPACITOR 1μF,16V
C102		NCF31EZ-104X	CAPACITOR 0.1μF,25V	C2021		NCB31EK-103X	CAPACITOR 0.01μF,25V
C103		NBE41AM-106X	T CAPACITOR 10μF,10V	C2022		NBE20JM-156X	T CAPACITOR 15μF,6.3V
C104		NCB31EK-103X	CAPACITOR 0.01μF,25V	C2023		NBP21CM-105X	T CAPACITOR 1μF,16V
C105		NCB31CK-104X	CAPACITOR 0.1μF,16V	C2024		NCB31HK-102X	CAPACITOR 0.001μF,50V
C106		NCF31EZ-104X	CAPACITOR 0.1μF,25V	C2025		NCB30JK-105X	CAPACITOR 1μF,6.3V
C107		NCB31EK-103X	CAPACITOR 0.01μF,25V	C2026		NCB31HK-222X	CAPACITOR 0.0022μF,50V
C108		NBE21AM-225X	T CAPACITOR 2.2μF,10V	C2027		NCB30JK-474X	CAPACITOR 0.47μF,6.3V
C109		NBE41AM-106X	T CAPACITOR 10μF,10V	C2028		NCB30JK-105X	CAPACITOR 1μF,6.3V
C110		NDC31HJ-101X	CAPACITOR 100pF,50V	C2029		NCB30JK-105X	CAPACITOR 1μF,6.3V
C111		NEA70JM-226X	E CAPACITOR 22μF,6.3V	C2031		NCB31CK-104X	CAPACITOR 0.1μF,16V
C112		NEA70JM-226X	E CAPACITOR 22μF,6.3V	C2032		NCB31HK-472X	CAPACITOR 0.0047μF,50V
C113		NCB31EK-103X	CAPACITOR 0.01μF,25V	C2033		NBE20JM-475X	T CAPACITOR 4.7μF,6.3V
C114		NCB31EK-103X	CAPACITOR 0.01μF,25V	C2034		NCB31CK-104X	CAPACITOR 0.1μF,16V
C115		NCF31EZ-104X	CAPACITOR 0.1μF,25V	C2035		NBE20JM-226X	T CAPACITOR 22μF,6.3V
C116		NCB31EK-103X	CAPACITOR 0.01μF,25V	C2036		NBE20JM-106X	T CAPACITOR 10μF,6.3V
C118		NCF31EZ-104X	CAPACITOR 0.1μF,25V	C2037		NBE20JM-226X	T CAPACITOR 22μF,6.3V
C119		NCB31EK-103X	CAPACITOR 0.01μF,25V	C2038		NCB30JK-474X	CAPACITOR 0.47μF,6.3V
C120		NCB31EK-103X	CAPACITOR 0.01μF,25V	C2051		NCB31EK-103X	CAPACITOR 0.01μF,25V
C121		NCF31EZ-104X	CAPACITOR 0.1μF,25V	C2071		NBE20JM-106X	T CAPACITOR 10μF,6.3V
C122		NCF31EZ-104X	CAPACITOR 0.1μF,25V	C2072		NCB31HK-222X	CAPACITOR 0.0022μF,50V
C123		NDC31HJ-100X	CAPACITOR 10pF,50V	C3002		NCB21CK-105X	CAPACITOR 1μF,16V
C124		NDC31HJ-100X	CAPACITOR 10pF,50V	C3003		NCB21CK-105X	CAPACITOR 1μF,16V
C125		NCB31EK-103X	CAPACITOR 0.01μF,25V	C3004		NCF31EZ-104X	CAPACITOR 0.1μF,25V
C126		NDC31HJ-120X	CAPACITOR 12pF,50V	C3005		NCF31EZ-104X	CAPACITOR 0.1μF,25V
C127		NCB31CK-333X	CAPACITOR 0.033μF,16V	C3006		NDC31HG-100X	CAPACITOR 10pF,50V
C128		NCB21CK-474X	CAPACITOR 0.47μF,16V	C3007		NDC31HG-100X	CAPACITOR 10pF,50V
C129		NCB31CK-333X	CAPACITOR 0.033μF,16V	C3009		NCF31EZ-104X	CAPACITOR 0.1μF,25V
C131		NCF31EZ-104X	CAPACITOR 0.1μF,25V	C3011		NCF31EZ-104X	CAPACITOR 0.1μF,25V
C132		NCF31EZ-104X	CAPACITOR 0.1μF,25V	C3012		NCF31EZ-104X	CAPACITOR 0.1μF,25V
C133		NCF31EZ-104X	CAPACITOR 0.1μF,25V	C3013		NCF31EZ-104X	CAPACITOR 0.1μF,25V
C134		NCF31EZ-104X	CAPACITOR 0.1μF,25V	C3014		NCF31EZ-104X	CAPACITOR 0.1μF,25V
C1201		NCB31HK-102X	CAPACITOR 0.001μF,50V	C3015		NCF31EZ-104X	CAPACITOR 0.1μF,25V
C1202		NBE20JM-106X	T CAPACITOR 10μF,6.3V	C3017		NCF31EZ-104X	CAPACITOR 0.1μF,25V
C1205		NCB31EK-153X	CAPACITOR 0.015μF,25V	C3019		NCB31EK-103X	CAPACITOR 0.01μF,25V
C1206		NBE20JM-106X	T CAPACITOR 10μF,6.3V	C3020		NCB31EK-103X	CAPACITOR 0.01μF,25V
C1601		NCB31EK-103X	CAPACITOR 0.01μF,25V	C3027		NCB31EK-103X	CAPACITOR 0.01μF,25V
C1602		NCB21CK-224X	CAPACITOR 0.22μF,16V	C3028		NCB31EK-103X	CAPACITOR 0.01μF,25V
C1603		NCB31CK-223X	CAPACITOR 0.022μF,16V	C3033		NCB31CK-104X	CAPACITOR,B,C,D 0.1μF,16V
C1604		NCB31CK-223X	CAPACITOR 0.022μF,16V	C3037		NDC31HJ-100X	CAPACITOR 10pF,50V
C1605		NCB31CK-223X	CAPACITOR 0.022μF,16V	C3506		NCB31EK-103X	CAPACITOR 0.01μF,25V
C1606		NCB31CK-104X	CAPACITOR 0.1μF,16V	C3507		NCB31EK-103X	CAPACITOR 0.01μF,25V
C1607		NCB31CK-104X	CAPACITOR 0.1μF,16V	C3508		NCB31EK-103X	CAPACITOR 0.01μF,25V
C1608		NCB31CK-683X	CAPACITOR 0.068μF,16V	C3509		NDC31HJ-221X	CAPACITOR 220pF,50V
C1609		NCB31CK-104X	CAPACITOR 0.1μF,16V	C3510		NCB31CK-104X	CAPACITOR 0.1μF,16V
C1610		NCB31CK-104X	CAPACITOR 0.1μF,16V	C3512		NCB10JK-106X	CAPACITOR 10μF,6.3V
C1611		NCB31CK-104X	CAPACITOR 0.1μF,16V	C3513		NCB31CK-223X	CAPACITOR 0.022μF,16V
C1612		NDC31HJ-331X	CAPACITOR 330pF,50V	C3514		NCB21CK-105X	CAPACITOR 1μF,16V
C1613		NCB21CK-334X	CAPACITOR 0.33μF,16V	C3515		NCB31EK-103X	CAPACITOR 0.01μF,25V
C1614		NBE41AM-226X	T CAPACITOR 22μF,10V	C3516		NDC31HJ-100X	CAPACITOR 10pF,50V
C1615		NCB31HK-681X	CAPACITOR 680pF,50V	C3902		NCB31EK-103X	CAPACITOR 0.01μF,25V
C1616		NCB21CK-474X	CAPACITOR 0.47μF,16V	C3903		NDC31HJ-3R0X	CAPACITOR 3pF,50V
C1617		NCB31HK-152X	CAPACITOR 0.0015μF,50V	C4006		NCF31EZ-104X	CAPACITOR 0.1μF,25V
C1618		NBE21AM-106X	T CAPACITOR 10μF,10V	C4008		NCF31EZ-104X	CAPACITOR 0.1μF,25V
C1619		NCB31CK-223X	CAPACITOR 0.022μF,16V	C4009		NCF31EZ-104X	CAPACITOR 0.1μF,25V
C1620		NCB31HK-472X	CAPACITOR 0.0047μF,50V	C4010		NCF31EZ-104X	CAPACITOR 0.1μF,25V
C1621		NBP41CM-106X	T CAPACITOR 10μF,16V	C4012		NCF31EZ-104X	CAPACITOR 0.1μF,25V
C2001		NBE20JM-106X	T CAPACITOR 10μF,6.3V	C4014		NCF31EZ-104X	CAPACITOR 0.1μF,25V
C2002		NFV41HJ-183X	MPPS CAPACITOR 0.018μF,50V	C4017		NCF31EZ-104X	CAPACITOR 0.1μF,25V
C2003		NDC31HJ-331X	CAPACITOR 330pF,50V	C4019		NCF31EZ-104X	CAPACITOR 0.1μF,25V
C2004		NBE20JM-226X	T CAPACITOR 22μF,6.3V	C4022		NCF31EZ-104X	CAPACITOR 0.1μF,25V

#	△ REF No.	PART No.	PART NAME, DESCRIPTION		#	△ REF No.	PART No.	PART NAME, DESCRIPTION	
C4024		NCF31EZ-104X	CAPACITOR	0.1μF,25V	C5219		NBP21CM-685X	T CAPACITOR	6.8μF,16V
C4028		NCF31EZ-104X	CAPACITOR	0.1μF,25V	C5221		NCB11EK-105X	CAPACITOR	1μF,25V
C4029		NCF31EZ-104X	CAPACITOR	0.1μF,25V	C5222		NCB31CK-104X	CAPACITOR	0.1μF,16V
C4030		NCF31EZ-104X	CAPACITOR	0.1μF,25V	C5223		NCF31EZ-104X	CAPACITOR	0.1μF,25V
C4036		NCF31EZ-104X	CAPACITOR	0.1μF,25V	C5225		NCF31EZ-104X	CAPACITOR	0.1μF,25V
C4040		NCB21CK-105X	CAPACITOR,D	1μF,16V	C5227		NCB31CK-104X	CAPACITOR	0.1μF,16V
C4044		NCB21CK-105X	CAPACITOR	1μF,16V	C5228		NCF31EZ-104X	CAPACITOR	0.1μF,25V
C4048		NCB10JK-106X	CAPACITOR	10μF,6.3V	C5229		NCB11EK-105X	CAPACITOR	1μF,25V
C4049		NDC31HJ-100X	CAPACITOR	10pF,50V	C5230		NCB21EK-104X	CAPACITOR	0.1μF,25V
C4051		NDC31HJ-221X	CAPACITOR	220pF,50V	C5232		NDC31HJ-100X	CAPACITOR	10pF,50V
C4201		NEA71HM-225X	E CAPACITOR	2.2μF,50V	C5233		NDC31HJ-100X	CAPACITOR	10pF,50V
C4202		NCF31EZ-104X	CAPACITOR	0.1μF,25V	C5234		NDC31HJ-100X	CAPACITOR	10pF,50V
C4203		NCB31CK-104X	CAPACITOR	0.1μF,16V	C5235		NDC31HJ-100X	CAPACITOR	10pF,50V
C4205		NCB31EK-103X	CAPACITOR	0.01μF,25V	C5236		NDC31HJ-100X	CAPACITOR	10pF,50V
C4206		NCB31CK-104X	CAPACITOR	0.1μF,16V	C5237		NDC31HJ-100X	CAPACITOR	10pF,50V
C4207		NCB31EK-103X	CAPACITOR	0.01μF,25V	C6002		NEA71CM-106X	E CAPACITOR	10μF,16V
C4208		NCB31CK-104X	CAPACITOR	0.1μF,16V	C6004		NCF21CZ-105X	CAPACITOR	1μF,16V
C4209		NCF21CZ-105X	CAPACITOR	1μF,16V	C6005		NCB21CK-105X	CAPACITOR	1μF,16V
C4210		NCF21CZ-105X	CAPACITOR	1μF,16V	C6006		NCF21CZ-105X	CAPACITOR	1μF,16V
C4251		NEA71HM-335X	E CAPACITOR	3.3μF,50V	C6007		NCB21CK-105X	CAPACITOR	1μF,16V
C4252		NCB31CK-104X	CAPACITOR	0.1μF,16V	C6009		NDC31HJ-820X	CAPACITOR	82pF,50V
C4253		NCB31EK-153X	CAPACITOR	0.015μF,25V	C6010		NCB21CK-105X	CAPACITOR	1μF,16V
C4254		NCB31EK-153X	CAPACITOR	0.015μF,25V	C6011		NCB21CK-104X	CAPACITOR	0.1μF,16V
C4256		NEA71CM-106X	E CAPACITOR	10μF,16V	C6012		NCB21CK-224X	CAPACITOR	0.22μF,16V
C4503		NEA70JM-107X	E CAPACITOR	100μF,6.3V	C6013		NCB31EK-473X	CAPACITOR	0.047μF,25V
C4504		NCF31EZ-104X	CAPACITOR	0.1μF,25V	C6014		NCB31EK-473X	CAPACITOR	0.047μF,25V
C4505		NDC31HJ-330X	CAPACITOR	33pF,50V	C6015		NCB31EK-473X	CAPACITOR	0.047μF,25V
C4506		NCB31HK-102X	CAPACITOR	0.001μF,50V	C6016		NCB31EK-473X	CAPACITOR	0.047μF,25V
C4507		NCB31HK-102X	CAPACITOR	0.001μF,50V	C6017		NCF21CZ-105X	CAPACITOR	1μF,16V
C4508		NCB31HK-102X	CAPACITOR	0.001μF,50V	C6101		NCB21CK-105X	CAPACITOR	1μF,16V
C4509		NCB31HK-102X	CAPACITOR	0.001μF,50V	C6102		NCB10JK-106X	CAPACITOR	10μF,6.3V
C4510		NCB31CK-104X	CAPACITOR	0.1μF,16V	C6105		NCB31HK-102X	CAPACITOR	0.001μF,50V
C4511		NCF31EZ-104X	CAPACITOR	0.1μF,25V	C6106		NCF21CZ-105X	CAPACITOR	1μF,16V
C4701		NBE20JM-106X	T CAPACITOR	10μF,6.3V	C6107		NCF21CZ-105X	CAPACITOR	1μF,16V
C4702		NCF31EZ-104X	CAPACITOR	0.1μF,25V	C6108		NCF21CZ-105X	CAPACITOR	1μF,16V
C4703		NBE20JM-106X	T CAPACITOR	10μF,6.3V	C6110		NCB31HK-152X	CAPACITOR	0.0015μF,50V
C4704		NCB21CK-105X	CAPACITOR	1μF,16V	C6201		NCB21CK-105X	CAPACITOR	1μF,16V
C4705		NDC31HJ-820X	CAPACITOR	82pF,50V	C6202		NCB10JK-106X	CAPACITOR	10μF,6.3V
C4706		NDC31HJ-150X	CAPACITOR	15pF,50V	C6203		NEA70JM-476X	E CAPACITOR	47μF,6.3V
C4707		NCB21CK-105X	CAPACITOR	1μF,16V	C6205		NCB31HK-472X	CAPACITOR	0.0047μF,50V
C4708		NDC31HJ-820X	CAPACITOR,B,C,D	82pF,50V	C6210		NCB31EK-103X	CAPACITOR	0.01μF,25V
C4709		NDC31HJ-150X	CAPACITOR,B,C,D	15pF,50V	C6301		NCB11CK-225X	CAPACITOR	2.2μF,16V
C4710		NCB31EK-103X	CAPACITOR,B,D	0.01μF,25V	C6302		NCB10JK-106X	CAPACITOR	10μF,6.3V
C4711		NCB21CK-105X	CAPACITOR,B,D	1μF,16V	C6303		NEA70JM-226X	E CAPACITOR	22μF,6.3V
C4712		NCB31EK-103X	CAPACITOR,B,D	0.01μF,25V	C6305		NCB31HK-561X	CAPACITOR	560pF,50V
C4713		NCB21CK-105X	CAPACITOR,B,D	1μF,16V	C6306		NCB21CK-105X	CAPACITOR,B,C,D	1μF,16V
C4714		NCB31EK-103X	CAPACITOR,B,D	0.01μF,25V	C6307		NEA71CM-106X	E CAPACITOR,B,C,D	10μF,16V
C4715		NCB21CK-105X	CAPACITOR,B,C,D	1μF,16V	C6310		NCB31HK-102X	CAPACITOR	0.001μF,50V
C4717		NCB31EK-103X	CAPACITOR,B,D	0.01μF,25V	C6401		NCB21CK-105X	CAPACITOR	1μF,16V
C4718		NDC31HJ-240X	CAPACITOR,B,D	24pF,50V	C6402		NCF21CZ-105X	CAPACITOR	1μF,16V
C4719		NCB31EK-103X	CAPACITOR,B,C,D	0.01μF,25V	C6406		NCB31CK-683X	CAPACITOR	0.068μF,16V
C5203		NCB10JK-106X	CAPACITOR	10μF,6.3V	C6410		NCB21CK-474X	CAPACITOR	0.47μF,16V
C5207		NCB31EK-103X	CAPACITOR	0.01μF,25V	C6501		NCB21CK-105X	CAPACITOR	1μF,16V
C5208		NCB31EK-103X	CAPACITOR	0.01μF,25V	C6502		NCF21CZ-105X	CAPACITOR	1μF,16V
C5209		NCB31EK-103X	CAPACITOR	0.01μF,25V	C6506		NCB21CK-224X	CAPACITOR	0.22μF,16V
C5210		NCF31EZ-104X	CAPACITOR	0.1μF,25V	C6510		NCB31CK-104X	CAPACITOR	0.1μF,16V
C5211		NCB21CK-105X	CAPACITOR	1μF,16V	C6601		NCB11CK-225X	CAPACITOR	2.2μF,16V
C5212		NCB21CK-105X	CAPACITOR	1μF,16V	C6602		NCF21CZ-105X	CAPACITOR	1μF,16V
C5213		NCB31HK-332X	CAPACITOR	0.0033μF,50V	C6603		NCB11CK-475X	CAPACITOR	4.7μF,16V
C5214		NCB31EK-103X	CAPACITOR	0.01μF,25V	C6605		NDC31HJ-331X	CAPACITOR	330pF,50V
C5218		NCF31EZ-104X	CAPACITOR	0.1μF,25V	C6606		NCF21CZ-105X	CAPACITOR	1μF,16V

#	△ REF No.	PART No.	PART NAME, DESCRIPTION	
C6607		NCB11EK-105X	CAPACITOR	1μF,25V
C6610		NCB31EK-103X	CAPACITOR	0.01μF,25V
C6616		NCB21CK-105X	CAPACITOR	1μF,16V
C6622		NCB21CK-105X	CAPACITOR	1μF,16V
C6700		NCB31HK-272X	CAPACITOR	0.0027μF,50V
C6701		NCF21CZ-105X	CAPACITOR	1μF,16V
C6702		NCB41CK-106X	CAPACITOR	10μF,16V
C6711		NCB21HK-472X	CAPACITOR	0.0047μF,50V
C6802		NCF21CZ-105X	CAPACITOR	1μF,16V
C6805		NCB31HK-102X	CAPACITOR	0.001μF,50V
C6810		NCB31EK-103X	CAPACITOR	0.01μF,25V
C6812		NCF21CZ-105X	CAPACITOR	1μF,16V
C6820		NCB31HK-102X	CAPACITOR	0.001μF,50V
C7001		NCB31EK-103X	CAPACITOR	0.01μF,25V
C7002		NBE20JM-106X	T CAPACITOR	10μF,6.3V
C7045		NDC31HJ-100X	CAPACITOR	10pF,50V
C7046		NDC31HJ-100X	CAPACITOR	10pF,50V
C7047		NDC31HJ-100X	CAPACITOR	10pF,50V
C7048		NBE20JM-106X	T CAPACITOR	10μF,6.3V
L101		NQL034K-330X	COIL	33μH
L501		NQR0129-002X	FERRITE BEAD	
L1601		NQL38DK-100X	COIL	10μH
L1602		NQL144K-100X	COIL	10μH
L2001		NQL144K-101X	COIL	100μH
L2003		NQL034K-470X	COIL	47μH
L2021		NQL144K-470X	COIL	47μH
L2051		NRSA63J-0R0X	MG RESISTOR	0Ω,1/16W
L2052		NRSA63J-0R0X	MG RESISTOR	0Ω,1/16W
L2071		NRSA63J-0R0X	MG RESISTOR	0Ω,1/16W
L2072		NRSA63J-0R0X	MG RESISTOR	0Ω,1/16W
L3002		NQR0006-001X	FERRITE BEAD	
L3003		NQR0129-002X	FERRITE BEAD	
L3502		NQL38DK-220X	COIL	22μH
L3503		NQL085J-5R6X	COIL	5.6μH
L4005		NQL38DK-220X	COIL	22μH
L4201		NQR0006-001X	FERRITE BEAD	
L4501		NQR0006-001X	FERRITE BEAD	
L4502		NQL034K-220X	COIL	22μH
L4701		NQL38DK-220X	COIL	22μH
L4702		NQL085J-560X	COIL,B,D	56μH
L5201		NQL38DK-470X	COIL	47μH
L5202		NQL38DK-220X	COIL	22μH
L5203		NQL38DK-220X	COIL	22μH
L6001		NQL52EM-100X	COIL	10μH
L6002		NQL52EM-100X	COIL	10μH
L6101		NQL52EM-390X	COIL	39μH
L6106		NQL144K-101X	COIL	100μH
L6107		NQL144K-101X	COIL	100μH
L6201		NQL52EM-470X	COIL	47μH
L6301		NQL52EM-390X	COIL	39μH
L6306		NQL52EM-470X	COIL,B,C,D	47μH
L6401		NQL52EM-470X	COIL	47μH
L6501		NQL52EM-470X	COIL	47μH
L6601		NQL52EM-221X	COIL	220μH
L6602		NQL144K-221X	COIL	220μH
L6606		NQL144K-220X	COIL	22μH
L6701		NQL52EM-100X	COIL	10μH
L7001		NQL38DK-220X	COIL	22μH
L7012		NQL144K-100X	COIL	10μH
FL4701		NQR0005-001X	LC TRAP,B,D	
FL4702		NQR0268-001X	BPF,B,D	

#	△ REF No.	PART No.	PART NAME, DESCRIPTION	
X101		NAX0251-001X	CRYSTAL RESONATOR	
X102		NAX0325-001X	CRYSTAL RESONATOR	
X3001		QAX0596-001	CRYSTAL RESONATOR	
WR1		WJV0039-001A	E-PRIMARY WIRE	
△ J101		QAB0022-001	LI BATTERY	
J504		LY31356-002A	JACK UNIT	
J505		QND0068-001	S JACK,B,C,D	
CN1		QGF0507F3-10X	CONNECTOR,(1-10)DRUM MOTOR	
CN2		QGF0507F3-14X	CONNECTOR,(1-14)SENSOR	
CN3		QGF0505F2-18X	CONNECTOR,(1-18)CAPS.MOTOR	
CN4		QGA1201F2-02X	CONNECTOR,(1-2)L.MTR,A	
		QGA1201F2-06X	CONNECTOR,(1-2)L.MTR,(5-6)LMP,B,C,D	
CN5		QGF0507F1-11X	CONNECTOR,(1-11)F.E.HD,V.HD	
CN7		QGF0507F3-11X	CONNECTOR,(1-11)A/C HEAD	
CN8		QGA1201C2-02X	CONNECTOR,(1-2)MIC	
CN12		QGA1201F2-05X	CONNECTOR,(1-5)B/W VF	
CN13		QGF0507F3-14X	CONNECTOR,(1-14)ZOOM OPE	
CN15		QGF0507F1-22X	CONNECTOR,(1-22)OP	
CN18		QGF0507F3-12X	CONNECTOR,(1-12)TOP OPE	
CN22		QGF0507F3-14X	CONNECTOR,(1-14)CCD	
CN25		QGB0506L1-30X	CONNECTOR,(1-30)JIG CONN.	
CN28		QGA1002F1-13X	CONNECTOR,(1-13)REAR UNIT	
△ F6001		NMFZ007-2R0X-K	FUSE	T2.0A
△ F6002		NMFZ010-R50X-A	FUSE	T0.5A
OT1		LY30016-049A	SPACER-A	
OT2		LY30029-0B6A	SPACER(A)	
SD1		LY42914-001A	SHIELD PLATE	

CCD BOARD ASSEMBLY <02>

PW	YB20899A-01	CCD BOARD ASSY	
Q5301	2SC3931/CD/-X	TRANSISTOR	
	or 2SC4774/RS/-X	TRANSISTOR	
R5301	NRSA02J-105X	MG RESISTOR	1MΩ,1/10W
R5302	NRSA02J-562X	MG RESISTOR	5.6kΩ,1/10W
R5303	NRSA02J-0R0X	MG RESISTOR	0Ω,1/10W
R5304	NRSA02J-105X	MG RESISTOR	1MΩ,1/10W
C5301	NCF21EZ-104X	CAPACITOR	0.1μF,25V
C5302	NBP21EM-155X	T CAPACITOR	1.5μF,25V
C5303	NCB21HK-102X	CAPACITOR	0.001μF,50V
C5304	NCF21EZ-104X	CAPACITOR	0.1μF,25V
C5305	NDC21HJ-270X	CAPACITOR	27pF,50V

E.VF BOARD ASSEMBLY <50>

PW	PTY20307-601	E.VF BOARD ASSY	
△ FBT1	PTY20307-550	FLY BACK TRANS	
HLC1	PTY20307-560	H.COIL	
IC1	BA7149F	IC	
Q1	2SA1576A	TRANSISTOR,TR1	
Q2	2SC4132	TRANSISTOR,TR2	
Q3	2SC4098	TRANSISTOR,TR3	
D1	RLS245	DIODE	

#	△ REF No.	PART No.	PART NAME, DESCRIPTION	#	△ REF No.	PART No.	PART NAME, DESCRIPTION
D2		MA143A	DIODE				
R1		YQ31803-501	RESISTOR				9.1kΩ,1/10W
R2		QRSA08G-333YN	RESISTOR				33kΩ,1/10W
R3		QRSA08J-3R9YN	RESISTOR				3.9Ω,1/10W
R4		QRSA08J-390YN	RESISTOR				39Ω,1/10W
R5		YU30595-111	RESISTOR				390Ω,1/10W
R6		YU30595-113	RESISTOR				91kΩ,1/10W
R7		QRSA08J-103YN	RESISTOR				10kΩ,1/10W
R8		YQ31803-502	RESISTOR				2.2kΩ,1/10W
R9		QRSA08J-102YN	RESISTOR				1kΩ,1/10W
R10		QRSA08J-102YN	RESISTOR				1kΩ,1/10W
R11		QRSA08J-330YN	RESISTOR				33Ω,1/10W
R12		QRSA08J-113YN	RESISTOR				11kΩ,1/10W
R13		YQ31803-503	RESISTOR				3.9kΩ,1/10W
R14		QRSA08J-822YN	RESISTOR				8.2kΩ,1/10W
R15		QRSA08J-182YN	RESISTOR				1.8kΩ,1/10W
R16		QRSA08J-332YN	RESISTOR				3.3kΩ,1/10W
R17		QRSA08J-102YN	RESISTOR				1kΩ,1/10W
R18		QRSA08J-471YN	RESISTOR				470Ω,1/10W
R19		QRSA08F-103YN	RESISTOR				10kΩ,1/10W
R20		QRSA08F-152YN	RESISTOR				1.5kΩ,1/10W
R21		QRSA08J-275YN	RESISTOR				2.7MΩ,1/10W
R22		QRSA08J-275YN	RESISTOR				2.7MΩ,1/10W
R23		QRSA08J-105YN	RESISTOR				1MΩ,1/10W
R24		QRSA08J-154YN	RESISTOR				150kΩ,1/10W
R25		QRSA08J-1R5YN	RESISTOR				1.5Ω,1/10W
R27		QRSA08J-102YN	RESISTOR				1kΩ,1/10W
R28		QRSA08J-121YN	RESISTOR				120Ω,1/10W
VR1		PTY20307-504	V RESISTOR,V SIZE				470Ω
VR2		PTY20307-505	V RESISTOR,H HOLD				47kΩ
VR4		PTY20307-506	V RESISTOR,BRIGHT				1MΩ
C1		YQ31803-507	CAPACITOR				0.22μF,16V
C2		NCF21CZ-105X	CAPACITOR				1μF,16V
C3		NCB21HK-152X	CAPACITOR				0.0015μF,50V
C4		NCF21CZ-105X	CAPACITOR				1μF,16V
C5		QEDP1AM-227	E CAPACITOR				220μF,10V
C6		QEDP1AM-227	E CAPACITOR				220μF,10V
C7		QEDP1AM-227	E CAPACITOR				220μF,10V
C8		NCF21CZ-105X	CAPACITOR				1μF,16V
C9		NDC21HJ-101X	CAPACITOR				100pF,50V
C10		NCB21HK-473X	CAPACITOR				0.047μF,50V
C11		QER61HM-106	E CAPACITOR				10μF,50V
C12		PTY20307-508	F CAPACITOR				4700pF
C13		YQ31304-506	E CAPACITOR				100μF,10V
C14		YQ31304-507	CAPACITOR				1500pF,630V
L1		YQ30723-115	COIL				100μH
TH1		YU30236-110	THERMISTOR				
WR1		PTY20307-580	WIRE,CN1-MAIN CN12				
CN2		PTY20307-571	CONNECTOR				